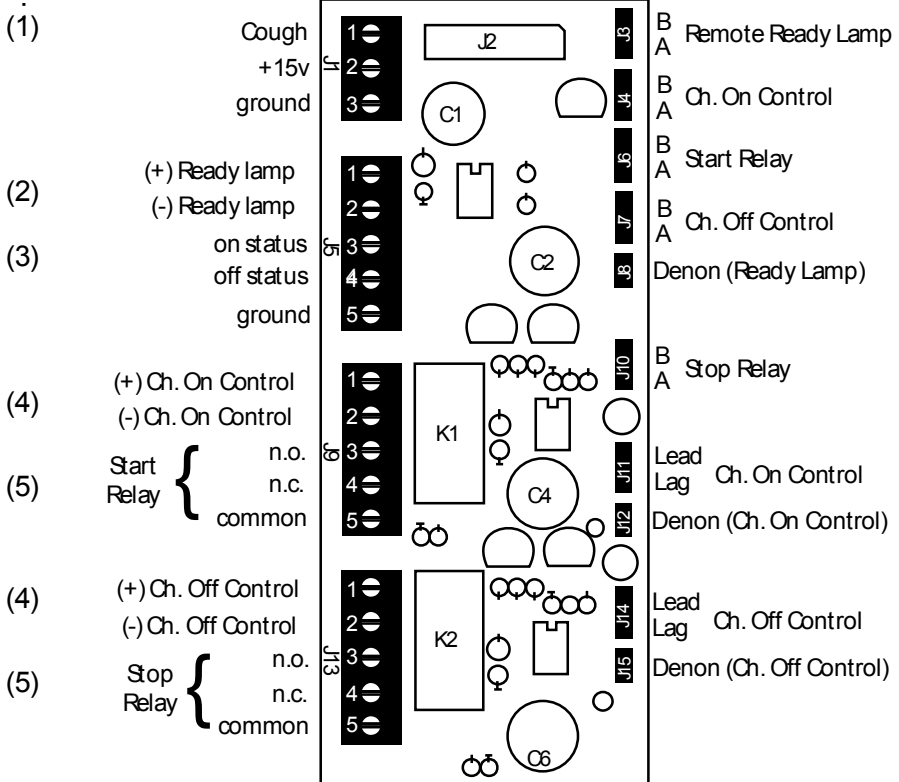


# Radio Systems Part# 11022 Enhanced Remote Interface Card

This optional card provides relay closures (n.o. and n.c.) for channel on and off states and opto-isolated contacts to control channel lamps and on/off states. Jumper programming allows selection of A or B input control for all card functions and "leading" or "lagging" remote control of channel on/off states.

**Notes**



**Remote Wiring Notes**

- (1) Connect and hold "cough" lead to +15v to hold the channel off.
- (2) Apply from +5v to 24v DC to these leads to illuminate the channel off lamp.
- (3) These leads go low to indicate channel on or off state.
- (4) Apply from 5v to 24v DC these leads to turn the channel on or off.
- (5) Relays pulse or hold close when channel turns on or off.

**Programming Notes**

A/B jumpers - short upper 2 pins for input B control, or short lower 2 pins for input A control of associated function.

Lead/lag jumpers - short upper 2 pins for leading control, or short lower 2 pins for lagging control of remote channel On or Off control.

Denon CD Players - insert these 3 jumpers to adjust card timing pulses to utilize in conjunction with Denon model 950FA CD cart machines.

**Installation Notes**

When ordered with the console, this optional board will normally be factory installed and operational. For field installation, use the four plastic stand-offs provided to mount the board on the inside rear console wall near the associated input and output. Use the cable provided to wire the Remote Board(s) to the desired console channel remote control D connector via on-board connector J-2.

Information Grid	
Manufactured Date:	1998-Present
Status:	Current
Application:	Millenium-A Console / Millenium-D Console
Notes:	

