

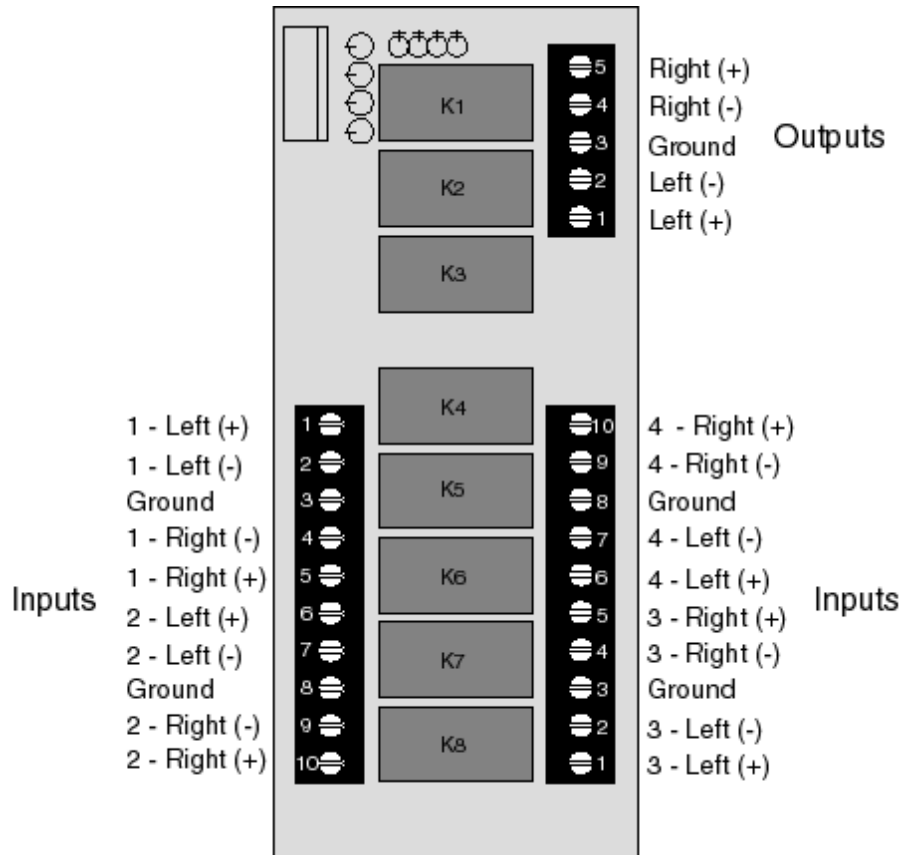
For Assy:
11021
Rev: 1/4/05

Radio Systems Part# 11021 Four Source Router Card

This optional card is a 4x2 balanced stereo router which can be used bidirectionally. That is, the board can be used to route 4 balanced stereo sources to one stereo input, or direct one stereo output to any one of four stereo inputs.

Because all switching is via relay contacts (passive), multiple router boards can be "daisy chained" by connecting the router outputs in parallel to create an 8x2 (or larger) matrix.

The four source router board is designed to be controlled by the Radio Systems selector logic board, which interfaces one or two 4 source router boards to the Millenium console front panel selector switches.



Installation Notes

When ordered with the console, this optional board will normally be factory installed and operational. For field installation, use the four plastic standoffs provided to mount the board on the inside rear console wall near the associated input or output.

Connect J1 to Radio Systems' Selector Logic Board (Part #11027) connector J3 (for control via selector switches 1-4) or connector J4 (for control via selector switches 5-8). Use the connector control cable provided.

Two cards may be installed as above independently and used as two 4x2 routers, or used in tandem to create a 8x2 router by connecting the outputs in parallel.

Information Grid	
Manufactured Date:	1998-Present
Status:	Current
Application:	Millenium-A Console / Millenium-D Console
Notes:	

radio
SYSTEMS

601 Heron Drive · Logan Township, NJ 08085
856/467-8000 · 856/467-3044 Fax · sales@radiosystems.com
www.radiosystems.com · www.studiohub.com